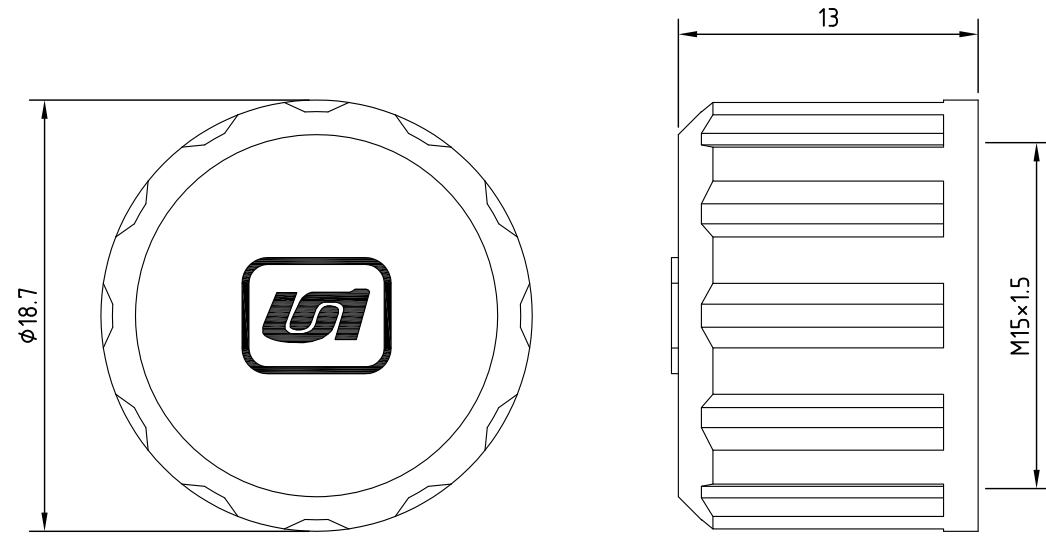


REV.	Description	Date
1	upgrade drawing	2012/2/20



※Operating temperature: -40°C to 90°C

RoHS  
TOLERANCE X±0.5 .X±0.3

2	O ring	Rubber	
1	Body	PA	
Item	Description	Material	Treat & Remark

 **Unicable Co., Ltd. 國陽電業有限公司**  
5F., No. 111-33, Sec. 4, San Ho Road, San Chung City, Taiwan, R.O.C.  
<http://www.unicable.com.tw> TEL:+886-2-2286-2122 FAX:+886-2-2286-1010

DATE	2016/10/7	PART NO.	UT-224C
DWN	GINA	REV.	1
CHK			
UNIT	MM		

ITEM	Waterproof Cap
------	----------------